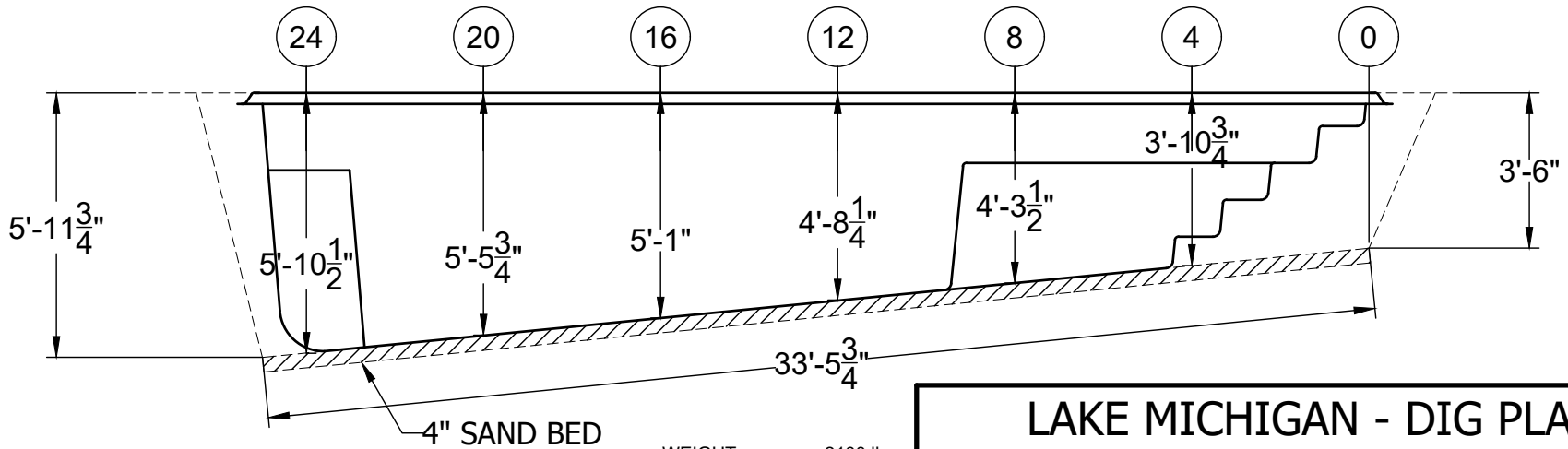
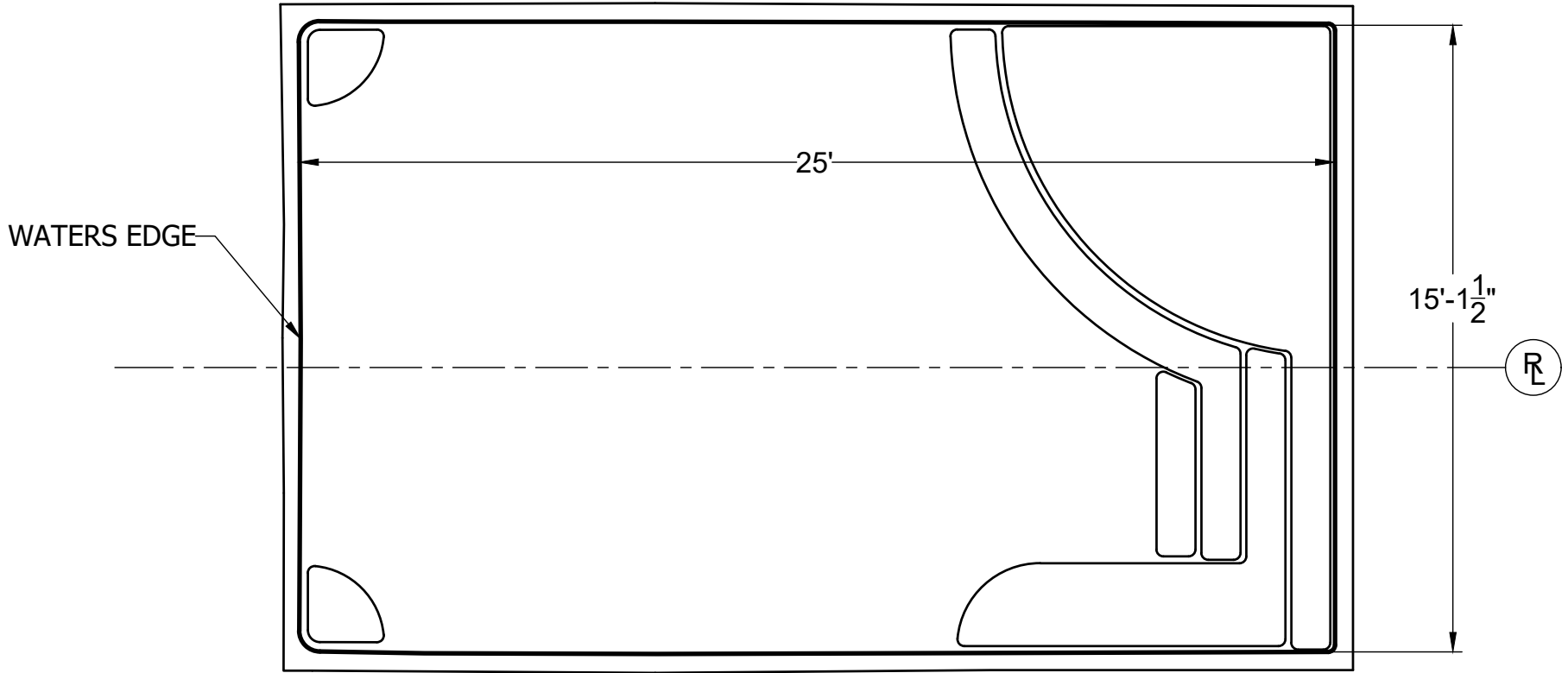


ALL MEASUREMENTS TO WATERS EDGE - ADD PREFERRED OVERDIG



WEIGHT: 2100 lbs
 AREA: 375 sq ft
 PERIMETER: 92 ft
 VOLUME: 10000 gal

LAKE MICHIGAN - DIG PLAN	
SCALE 1/4" = 1'-0"	DATE 05-18-19
DRAWN BY KLB	REVISION 01

ALL MEASUREMENTS AND QUANTITIES ARE BASED ON AVERAGES